

Pool Breakdown

Tahitian 33' Round – 54''

NB1205

(mfr. Name – Escalade)

<u>FEATURES:</u> Round Size: 30' Depth: 54" 60 Year Warranty	<u>STRUCTURE COMPOSITION:</u> Resin Top rails Wall pattern printed uprights Painted steel bottom rails Steel-square stabilizers
---	--

	Qty	Carton #	Carton Content Description
<input type="checkbox"/>	1	CRESC*C33-PSAR1	ESCALADE – STABILIZER-STEEL, STEEL BOTTOM RAIL, PLASTIC COPING, BOTTOM PLATES, TOP COVERS, TOP PLATES
<input type="checkbox"/>	1	CRESCTR-22R	ESCALADE – TOP RAILS – RESIN
<input type="checkbox"/>	1	CRESCUW54-22	ESCALADE – 54" UPRIGHTS, CURVED SIDE-PRINTED
<input type="checkbox"/>	1	WWDF54S-WMB33-1205	WALL- WINDRIFT 54 STL WM BRITE

Carton Breakdown

TAHITIAN 33' ROUND – 54"

NB1205

FRAME CARTON # CRESC*C33-PSAR1

Key	QTY	Item #	Mfg Part #	Description
1	24	NBP3148	15373	Inner Stabilizer
2	22	NBP3132	19192	Bottom Rail
3	22	NBP3116	14439	Top Plate
4	22	NBP3115	14438	Bottom Plate
7	25	NBP3078	10296	Coping
8	22	NBP3120	14443	Upright Boot
9	22	NBP3119	14442	Top Cover Inner
10	22	NBP3117	14440	Top Cover
---	2	NBP3137	10179	HDW SS
---	1	-----	95-0007	Envelope Safety Stickers
---	1	-----	95-0443	Round Instructions

FRAME CARTON # CRESCTR-22R

6	22	NBP3135	20977	Top Rail
---	2	NBP3138	19080	HDW SS TR Resin
---	1	-----	12571	Warranty

FRAME CARTON # CRESCUW54-22

5	22	NBP3136	21444	Upright
---	----	---------	-------	---------

WALL CARTON # WWDF54S-WMB33-1205

25	2	NBP3192	17636	Wall Bar*
---	1	NBP3170	10607	Hdw SS # 36 Bolt Set
---	1	NBP3171	19594	WS PANEL SS BRITE 53.5" X 43"
---	1	-----	WWDF54S	WINDRIFT - WALL FOR 54"

*pools with more than 40 holes in the wall will not include the wall bar – it is not necessary for installation of these pools.

Carton Breakdown

TAHITIAN 33' ROUND – 54"

NB1205

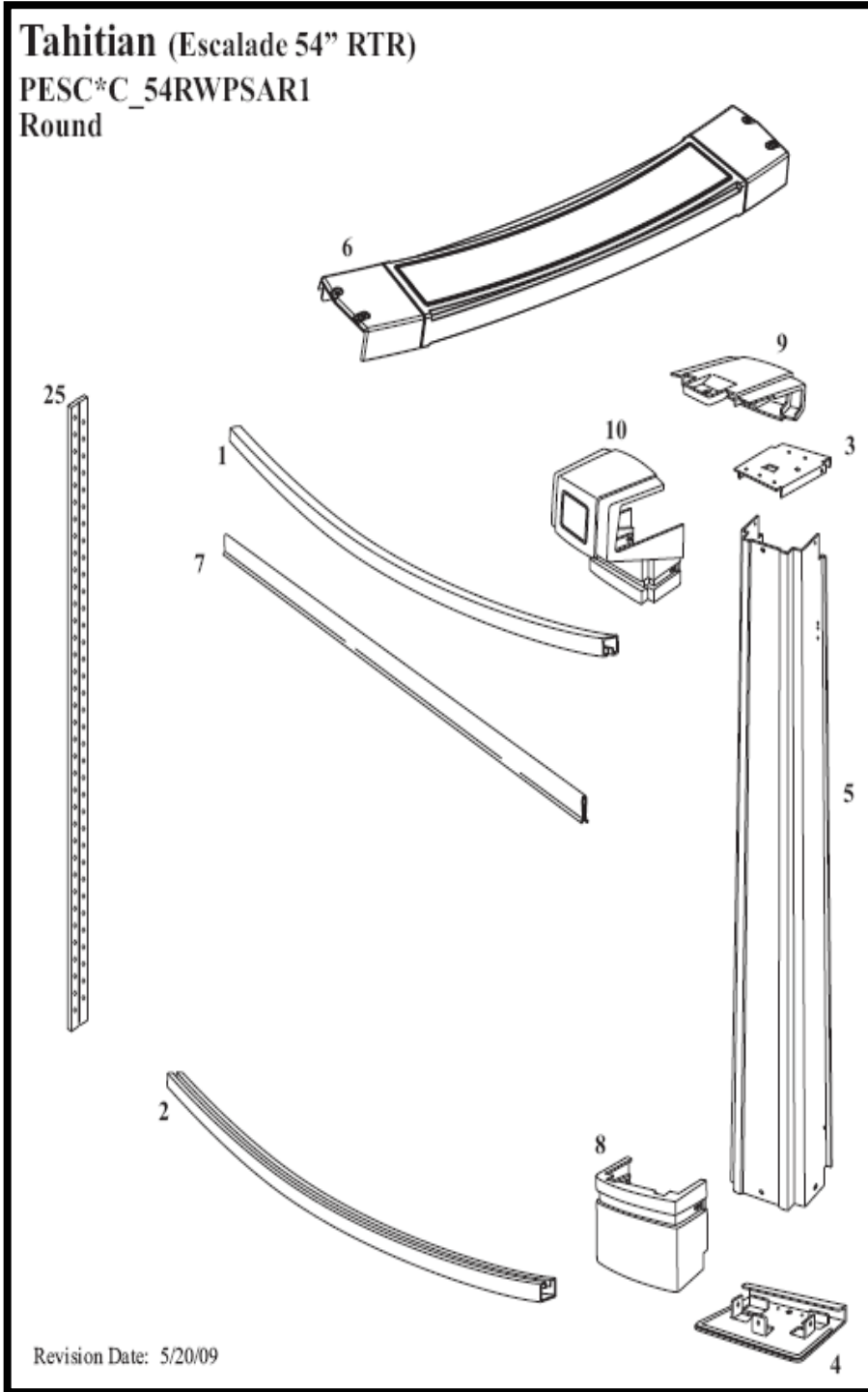
(mfr. Name – Escalade)

Tahitian (Escalade 54" RTR)

PESC*C_54RWPSAR1

Round

Key #	Part Description
1	Inner Stabilizer
2	Bottom Rail
3	Top Plate
4	Bottom Plate
5	Upright
6	Top Rail
7	Coping
8	Upright Boot
9	Top Cover- Inner
10	Top Cover
25	Wall Bar



Revision Date: 5/20/09